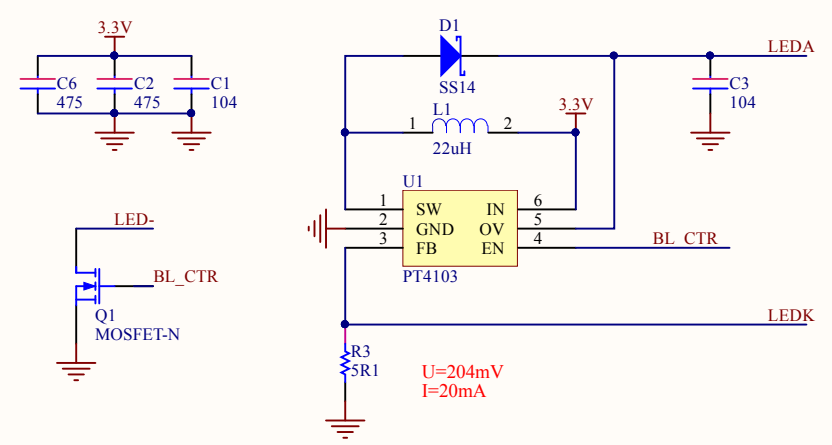


IM0=0; => 16Bit [15:0]
 IM0=1; => 8Bit [15:8]



| | | |
|-------|--|----------|
| Title | | |
| Size | Number | Revision |
| A4 | | |
| Date: | 2016-11-22 | Sheet of |
| File: | D:\Tiky hardware design\2.4寸屏屏扣式 D671 SchDoc | |

