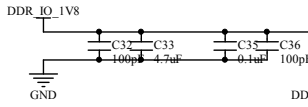
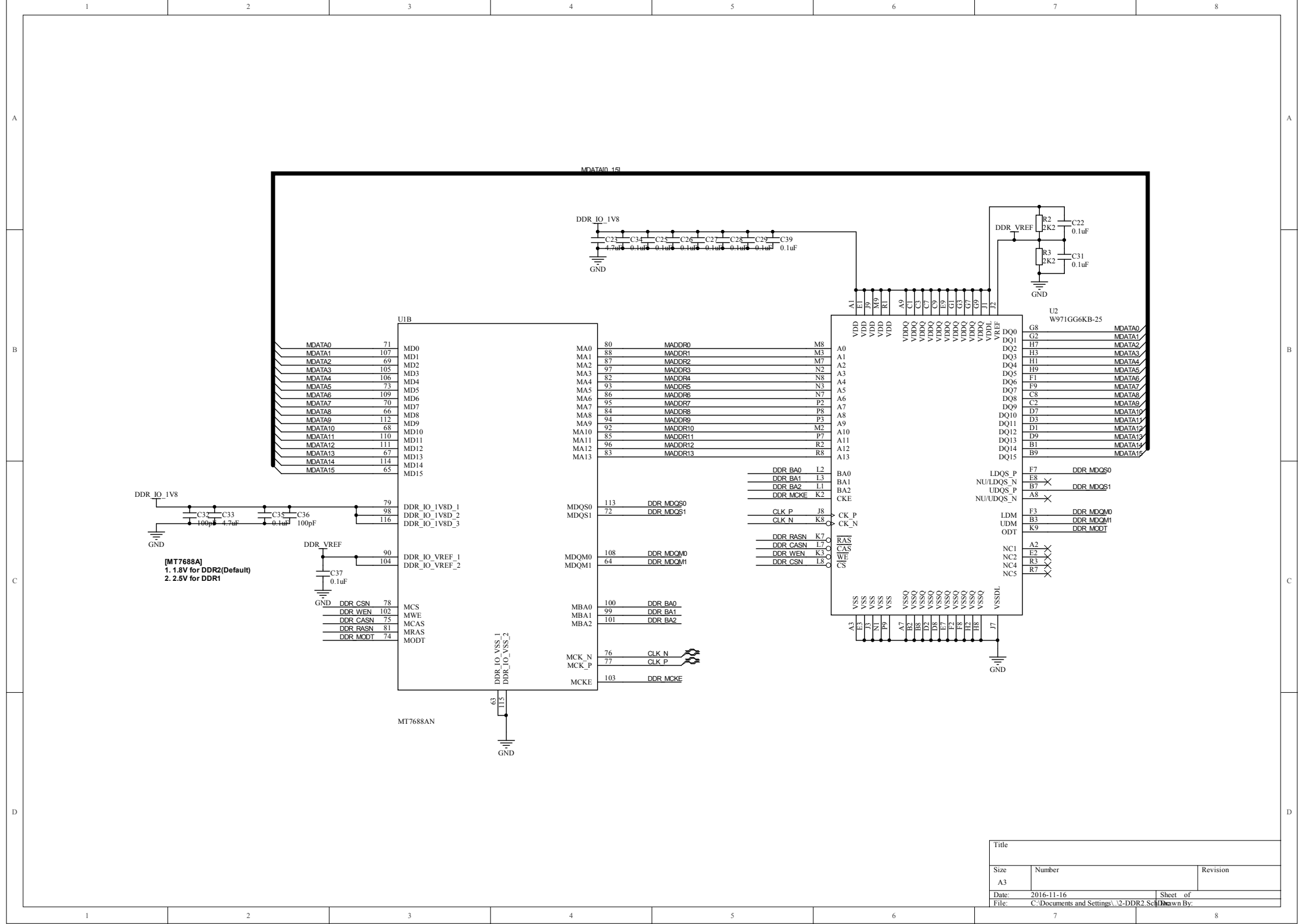
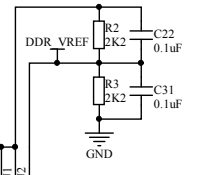
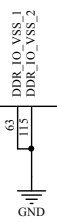
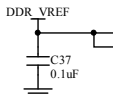


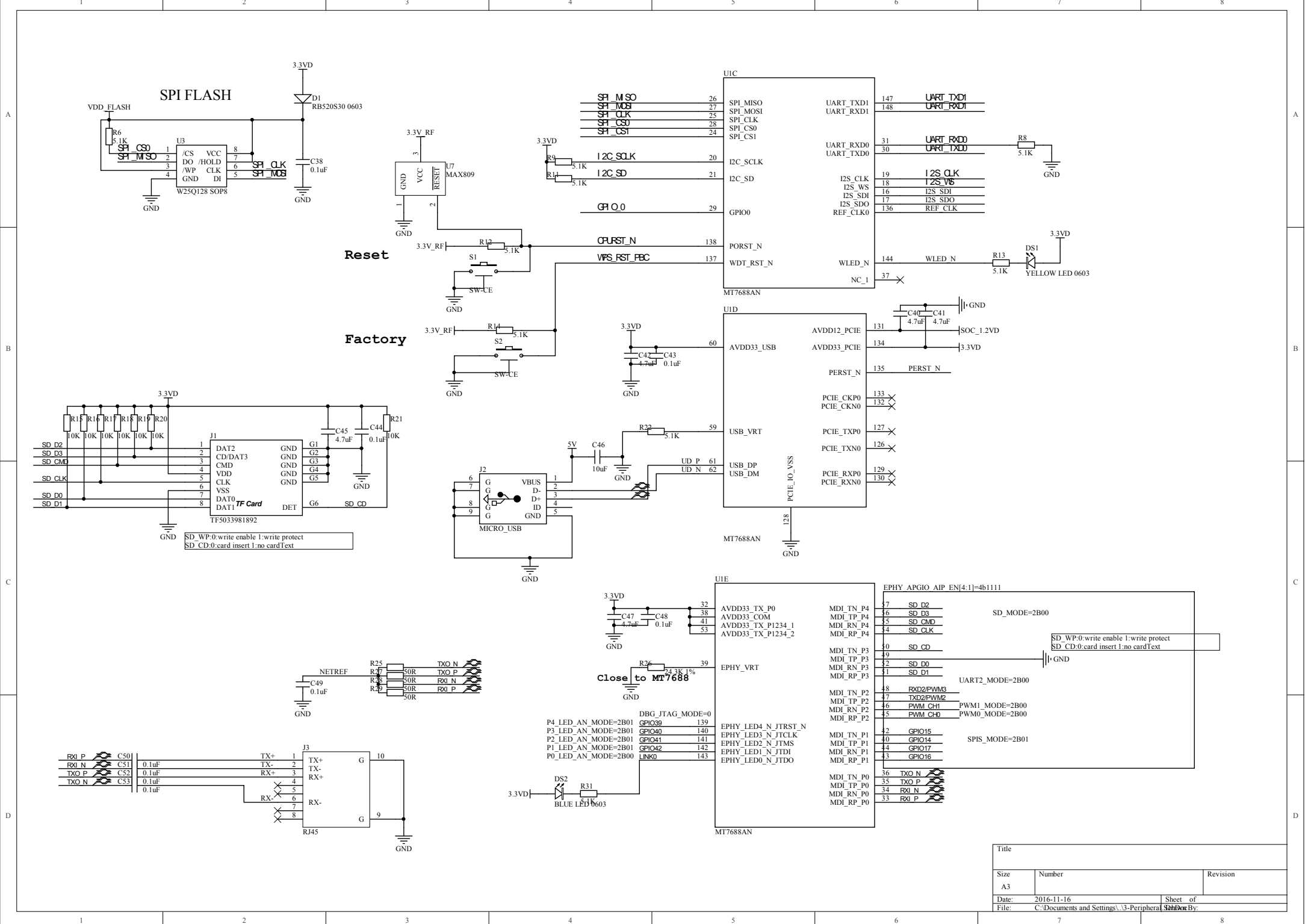
| | | |
|-------|--|-----------|
| Title | | |
| Size | Number | Revision |
| A3 | | |
| Date: | 2016-11-16 | Sheet of |
| File: | C:\Documents and Settings\MI-RF_SchDoc | Drawn By: |



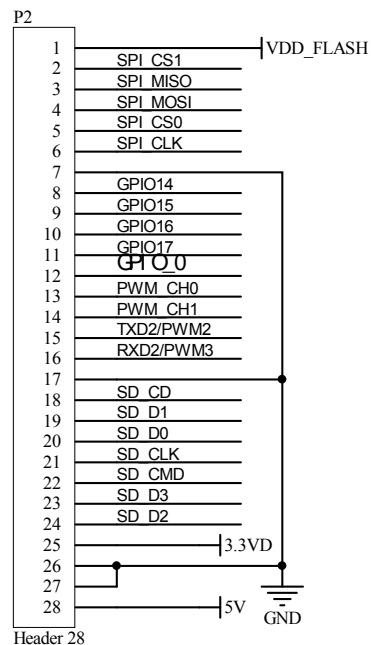
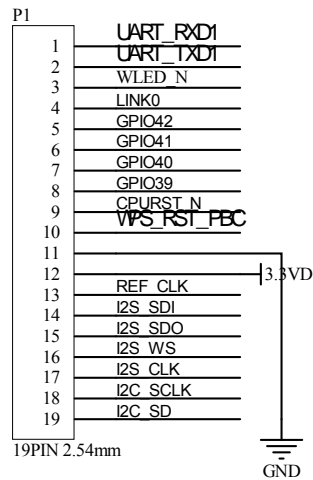
[MT7688A]
 1. 1.8V for DDR2(Default)
 2. 2.5V for DDR1



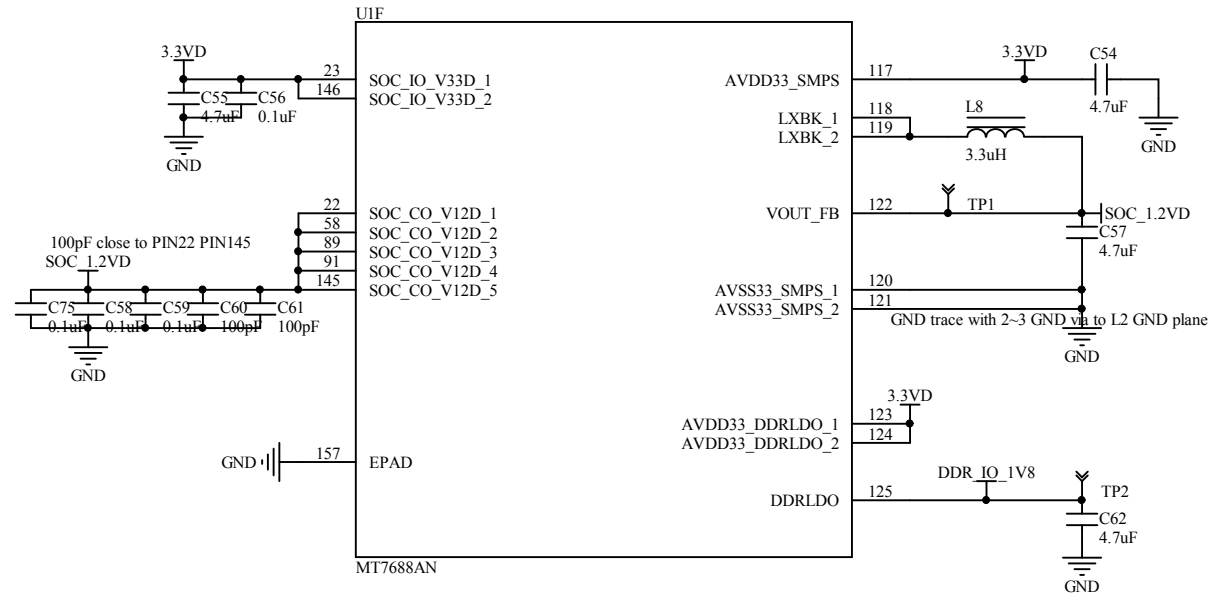
| Title | | |
|-------|---------------------------------------|-----------|
| Size | Number | Revision |
| A3 | | |
| Date: | 2016-11-16 | Sheet of |
| File: | C:\Documents and Settings\2-DDR2_Sch1 | Drawn By: |



| | | |
|-------|---------------------------------------|------------|
| Title | | |
| Size | Number | Revision |
| A3 | | |
| Date: | 2016-11-16 | Sheet of |
| File: | C:\Documents and Settings\3-Periphera | Author By: |

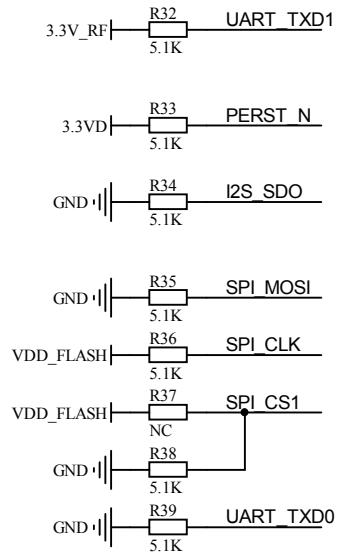


| | | |
|-------|---|-----------|
| Title | | |
| Size | Number | Revision |
| A | | |
| Date: | 2016-11-16 | Sheet of |
| File: | C:\Documents and Settings\...4-Expand.Sch | Drawn By: |



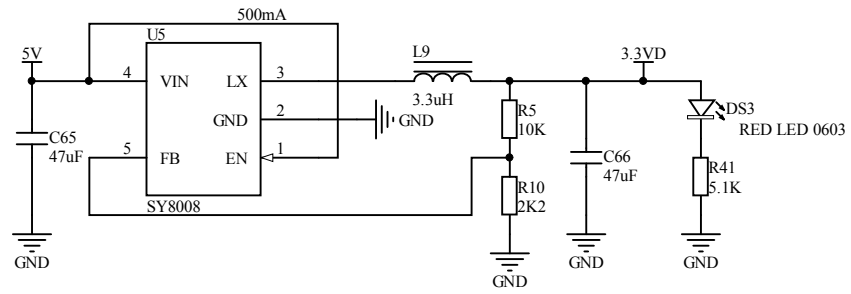
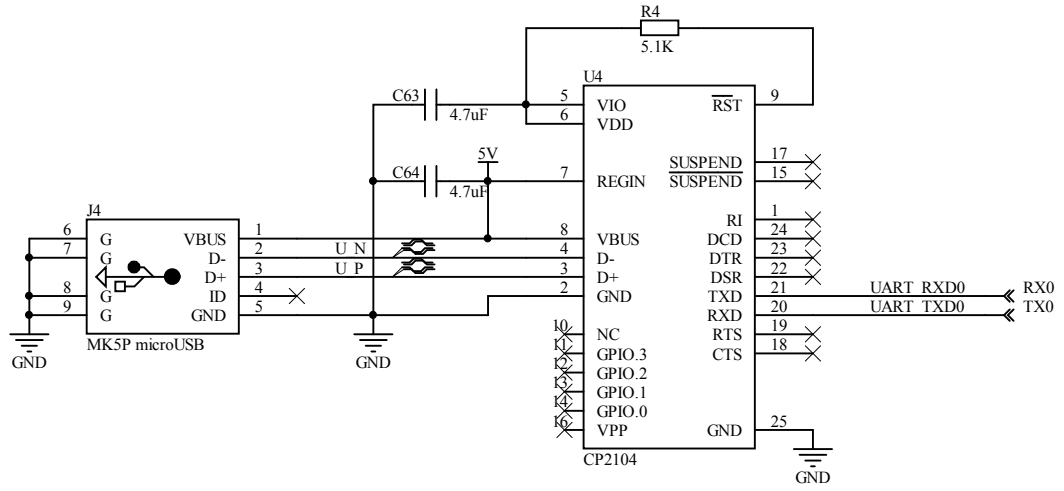
[MT7688AN-IOT] 1. 1.8V for DDR2 2. 2.5V for DDR1 configured by SW

| | | |
|-------|--|----------|
| Title | | |
| Size | Number | Revision |
| A4 | | |
| Date: | 2016-11-16 | Sheet of |
| File: | C:\Documents and Settings\AS-PMU.Sch\Drawn By: | |

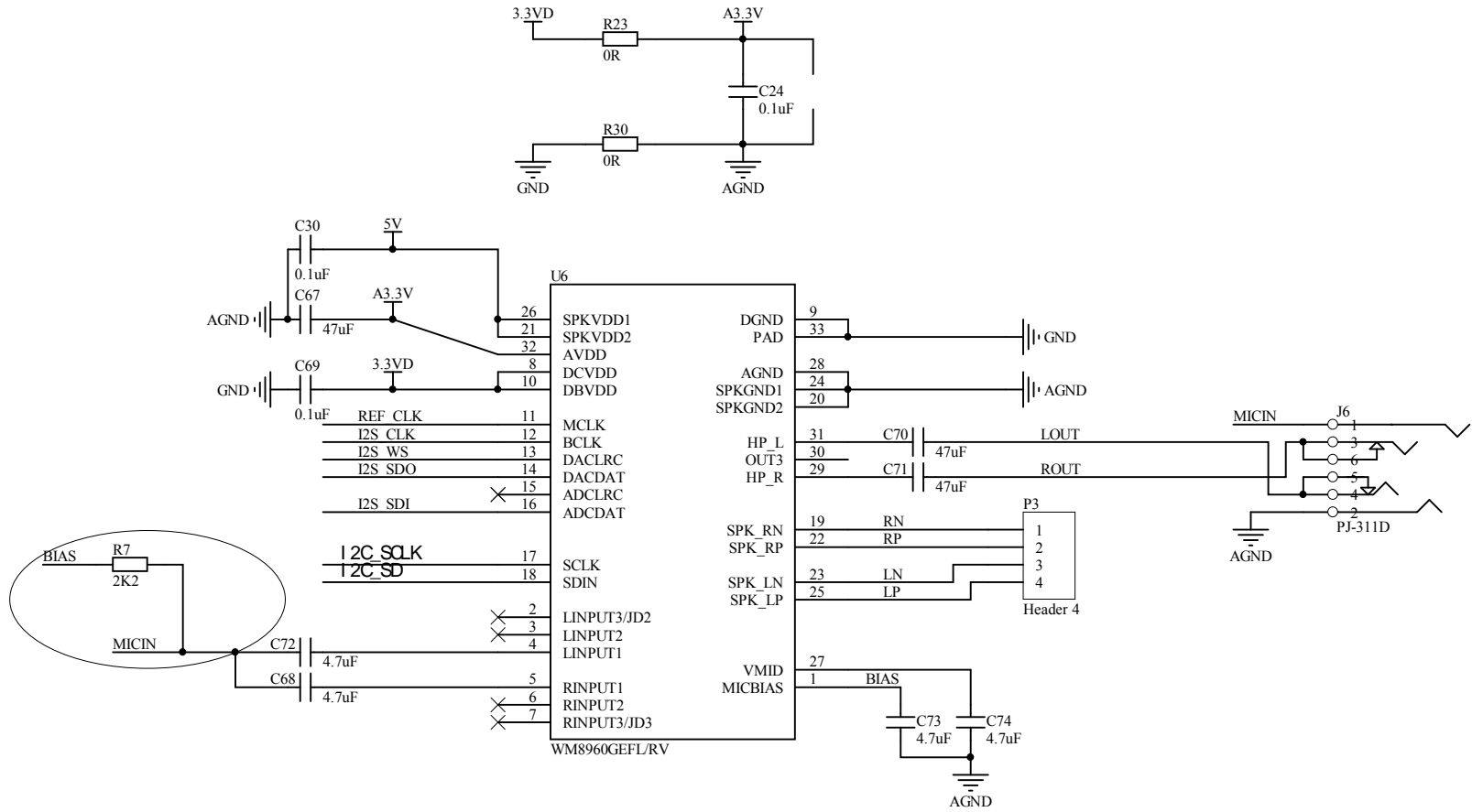


| Bootstrapping Pins Description | | |
|--------------------------------|----------------------------|---|
| Pin Name | Boot Strapping Signal Name | Description |
| UART_TXD1 | DBG_JTAG_MODE | 0: JTAG_MODE 1: EPHY_LED (default) |
| PERST_N | XTAL_FREQ_SEL | 0: 25 MHz DIP 1: 40 MHz SMD |
| I2S_SDO | DRAM_TYPE | 1: DDR1 0: DDR2 [note] This pin is valid for MT7628AN only. It needs to be pull-low for 7628KN which only supports DDR1. |
| {SPI_MOSI, SPI_CLK, SPI_CS1} | CHIP_MODE[2:0] | A vector to set chip function/test/debug modes. 000: Boot from PLL (boot from SPI 3-Byte Addr) 001: Boot from PLL (boot from SPI 4-Byte Addr) 010: Boot from XTAL (boot from SPI 3-Byte Addr) 011: Boot from XTAL (boot from SPI 4-Byte Addr) |
| PAD_TXD0 | EXT_BGCK | 1: Test Mode 0: Normal (default) |

| | | |
|------------|---|----------|
| Title | | |
| Size A4 | Number | Revision |
| Date: | 2016-11-16 | Sheet of |
| File: | C:\Documents and Settings\...6-CONFIG.Sch Drawn By: | |



| | | |
|------------|--|----------|
| Title | | |
| Size A4 | Number | Revision |
| Date: | 2016-11-16 | Sheet of |
| File: | C:\Documents and Settings\... \7-POWER-US... \Drawl.BrdDoc | |



| | | |
|------------|--|----------|
| Title | | |
| Size A4 | Number | Revision |
| Date: | 2016-11-16 | Sheet of |
| File: | C:\Documents and Settings\...8-AUDIO.Sch Drawn By: | |