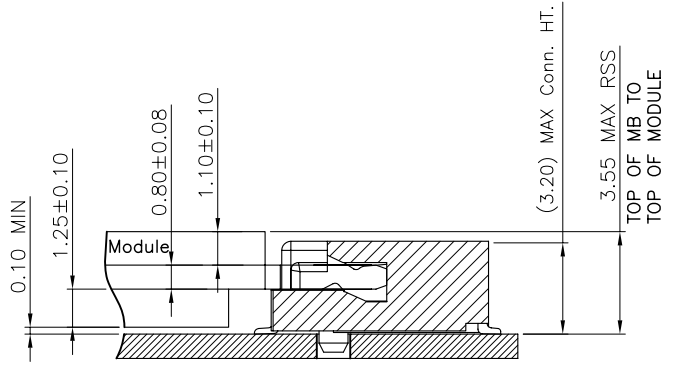
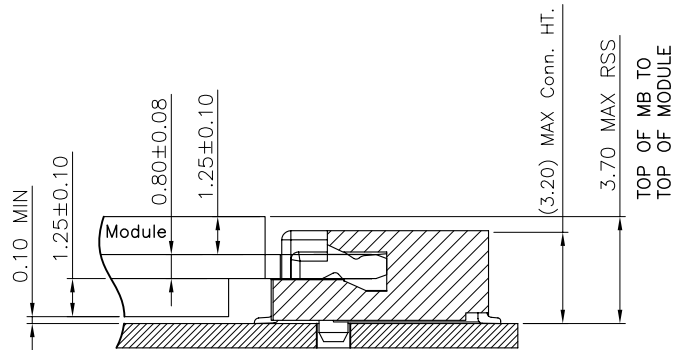




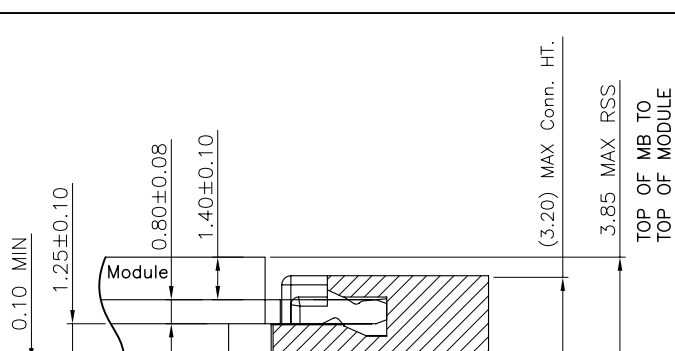
Assembly stack height schematic diagram



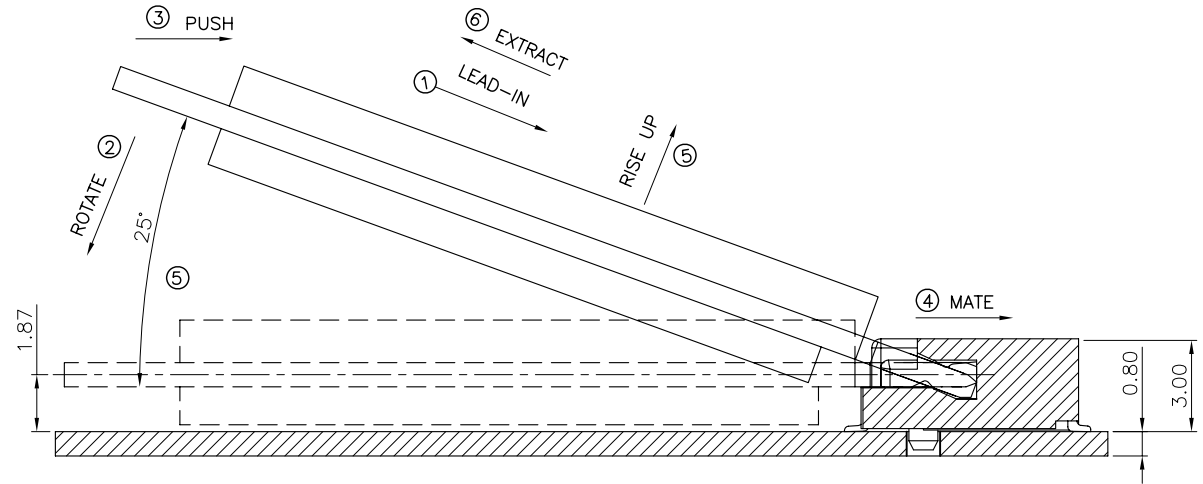
Stack-up Top Mount Double Sided Module for 1.20 max top-side component height



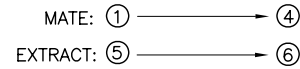
Stack-up Top Mount Double Sided Module for 1.35 max top-side component height



Stack-up Top Mount Double Sided Module for 1.5 max top-side component height

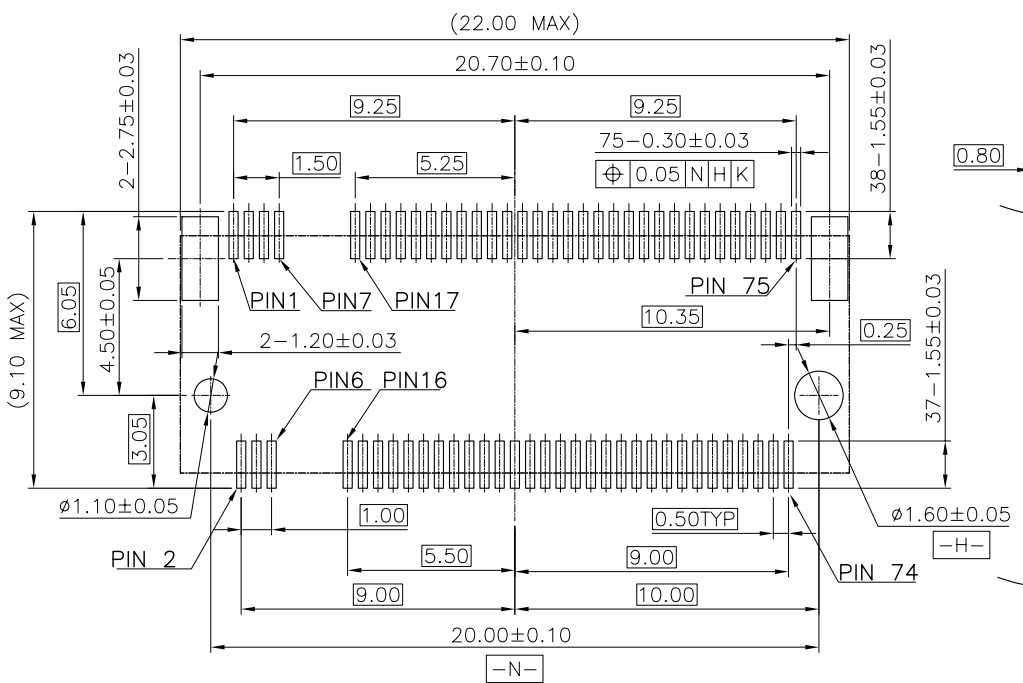
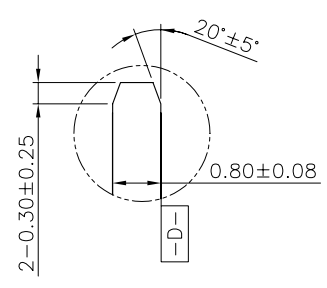
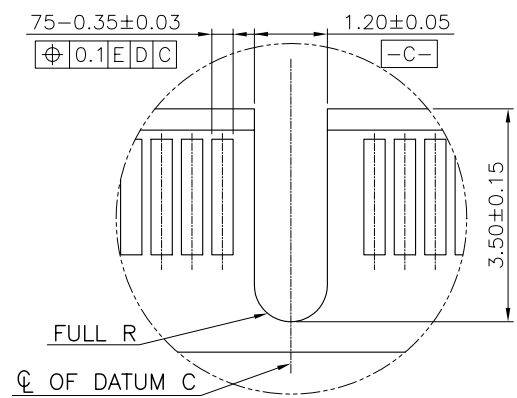
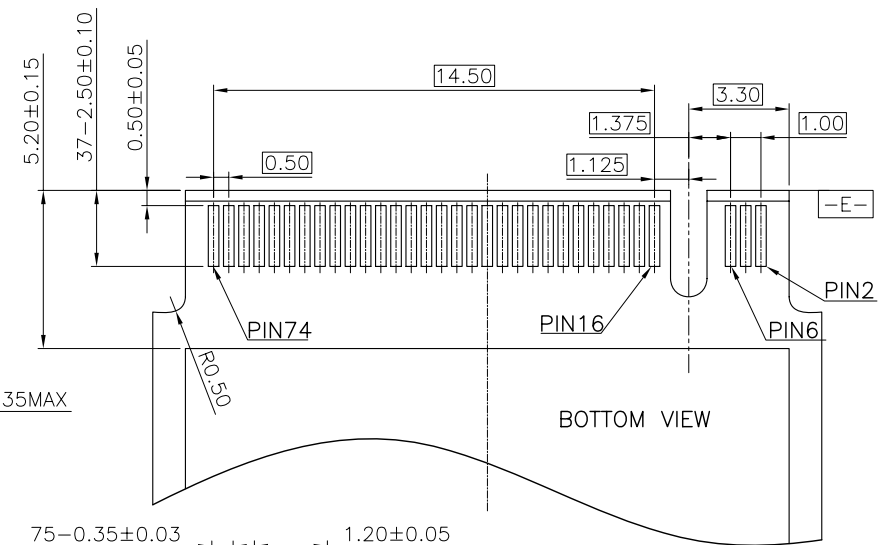
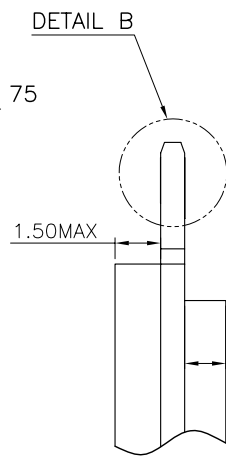
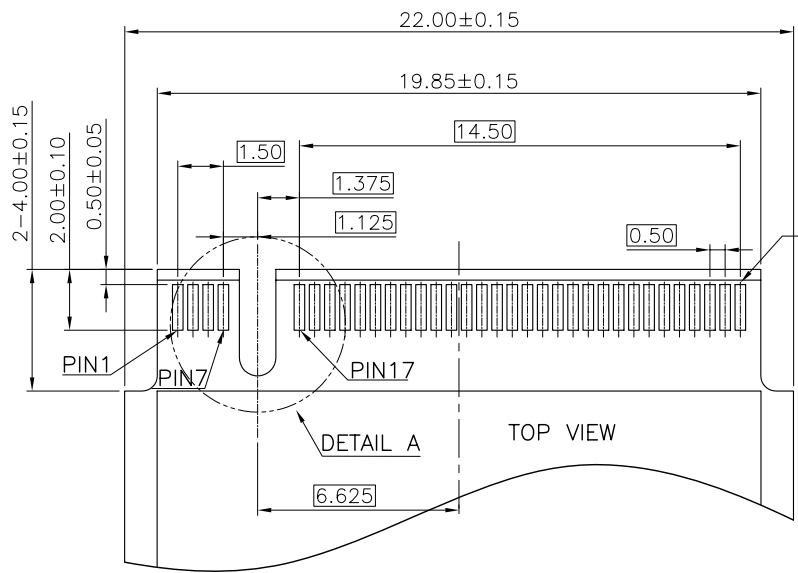


HOW TO MATE AND EXTRACT



NOTE: Mating force will generate from step 3 to step 4.

GENERAL TOLERANCES UNLESS SPECIFIED		PART NO. SEE TABLE	<b>LOTES</b>			
.X ± 0.35	X.° ± 3°	APPROVED BY Barney 09/04'13				TITLE 0.5Pitch 67pin M.2 H3.2(KEY A)
.XX ± 0.25	.X° ± 2°	CHECKED BY Vito 09/04'13	DWG NO. AP-APCI0084-P			
.XXX ± 0.15	.XX° ± 1°	CUSTOMER DRAWING	DRAWN BY Jinjin.Tu 09/04'13			
SIZE A4	UNITS MM [INCH]			SHEET 2 / 4	SCALE 4 : 1	REV A



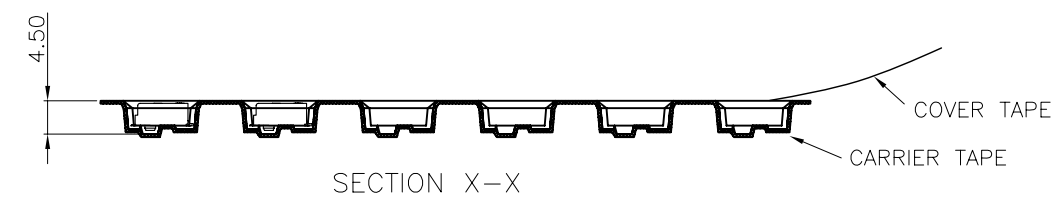
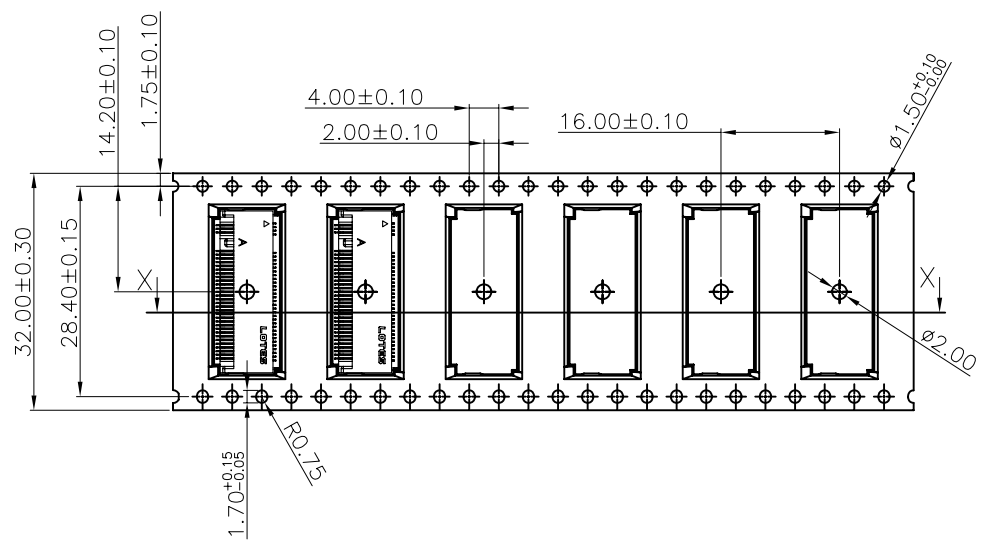
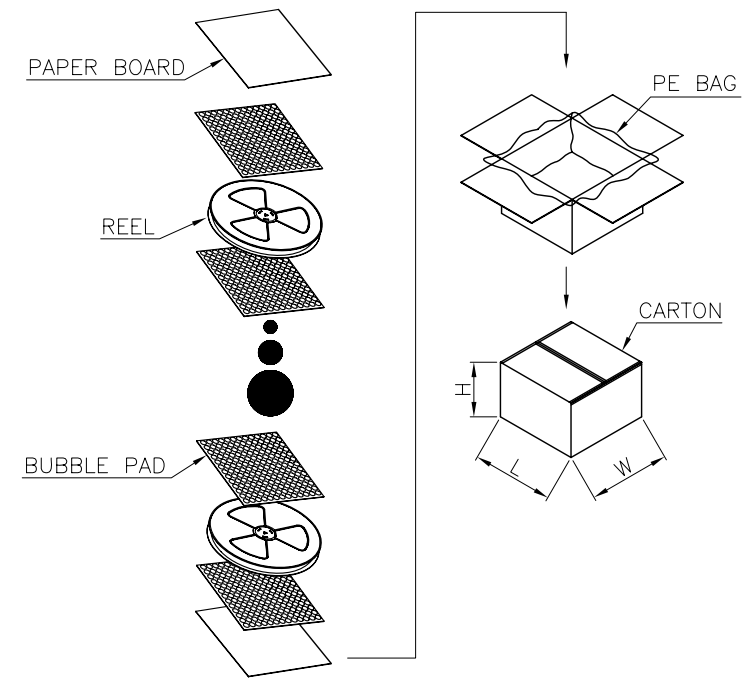
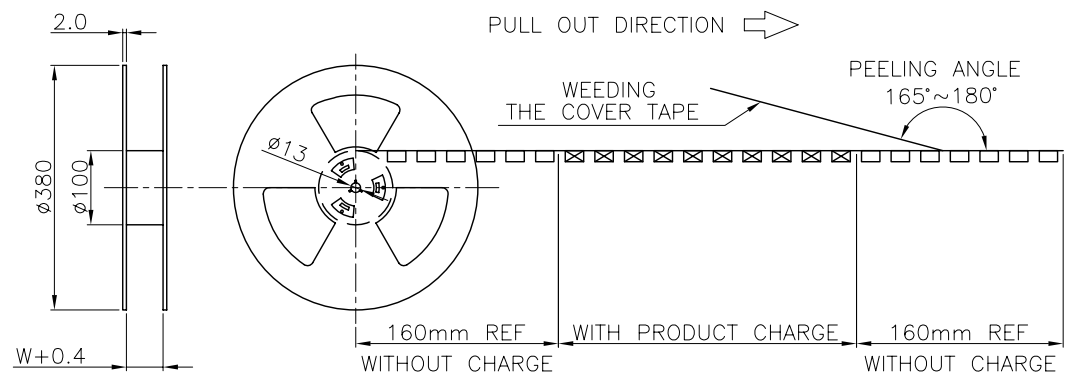
RECOMMENDED PCB LAYOUT(TOP VIEW)  
 DEFAULT TOLERANCE ±0.05MM

GENERAL TOLERANCES UNLESS SPECIFIED		PART NO. SEE TABLE		<b>LOTES</b>	
.X ± 0.35 X.° ± 3°		APPROVED BY Barney 09/04'13			
.XX ± 0.25 X.° ± 2°		CHECKED BY Vito 09/04'13		DWG NO. AP-APCI0084-P	
.XXX ± 0.15 .XX° ± 1°		DRAWN BY Jinjin.Tu 09/04'13		SHEET 3 / 4	
CUSTOMER DRAWING		SCALE 4 : 1		REV A	
SIZE A4	UNITS MM [INCH]				

1 2 3 4 5 6 7 8

F  
E  
D  
C  
B  
A

F  
E  
D  
C  
B  
A



1200	9600
PCS/REEL	PCS/CARTON

GENERAL TOLERANCES UNLESS SPECIFIED		PART NO. SEE TABLE		<b>LOTES</b>		
.X ± 0.35	X.° ± 3°	APPROVED BY Barney 09/04'13				
.XX ± 0.25	X.° ± 2°	CHECKED BY Vito 09/04'13		DWG NO. AP-APCI0084-P		
.XXX ± 0.15	.XX° ± 1°	CUSTOMER DRAWING		DRAWN BY Jinjin.Tu 09/04'13		
SIZE A4	UNITS MM [INCH]	DRAWN BY Jinjin.Tu 09/04'13		SHEET 4 / 4		
				SCALE 1 : 1		
				REV A		

1 2 3 4 5 6 7 8